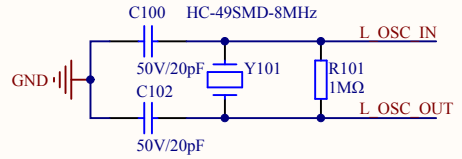
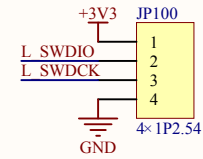
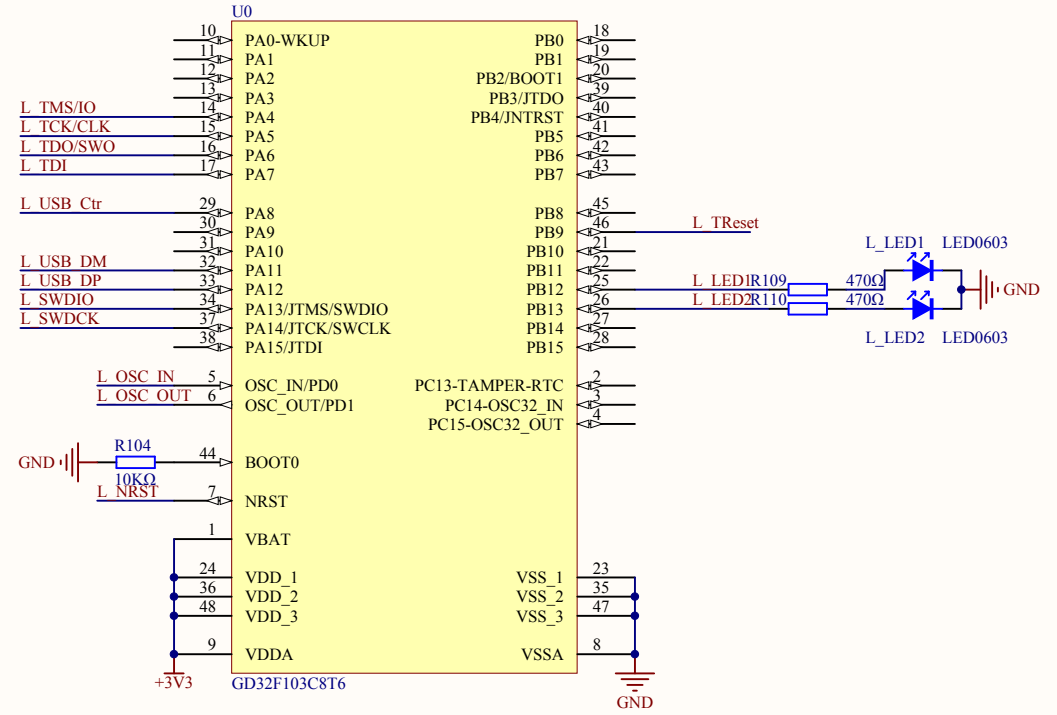
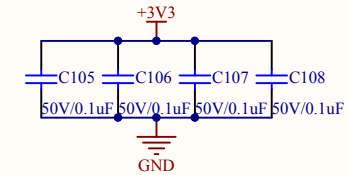
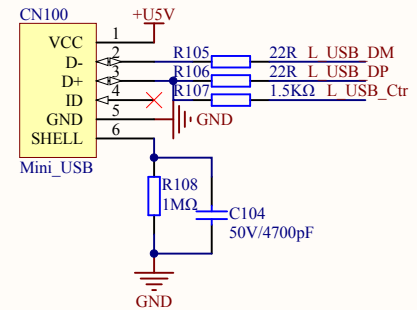
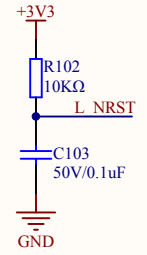


### MCU SWD



### Reset



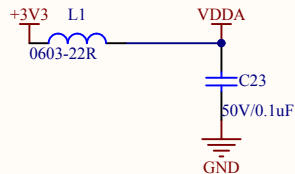
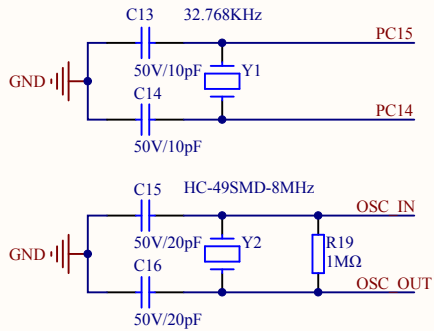
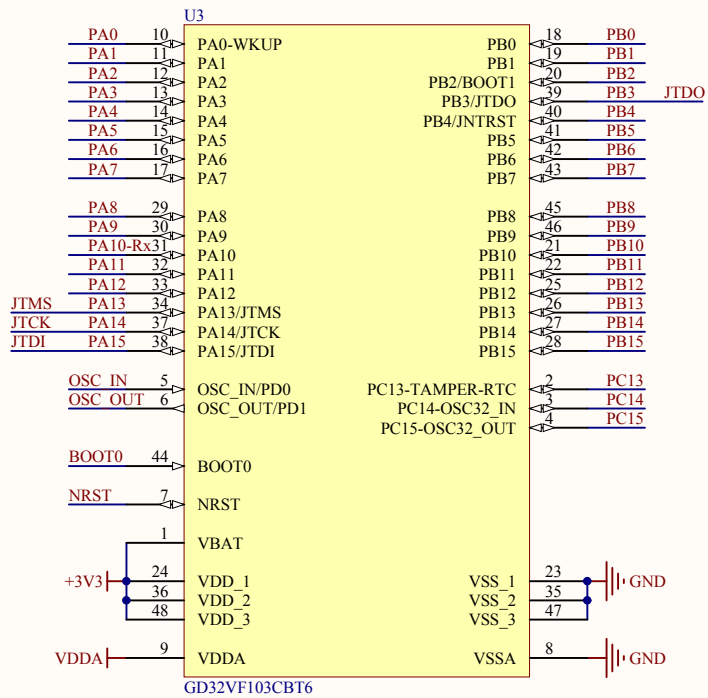
Company Name: GigaDevice

File Name: GDLink

Revision: 1.0

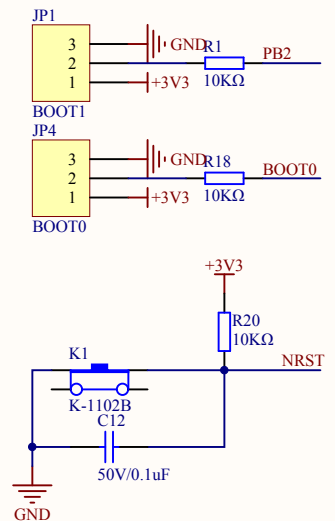
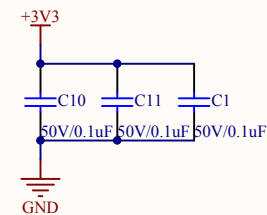
Data: 2019-5

Author: XuFei



JTAG GDLINK

JTMS	L TMS/IO
JTCK	L TCK/CLK
NRST	L TReset
JTDO	L TDO/SWO
JTDI	L TDI



Company Name: GigaDevice

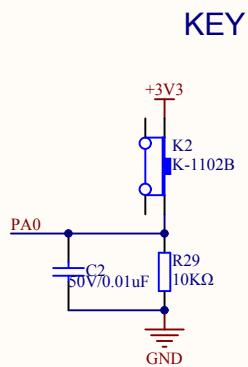
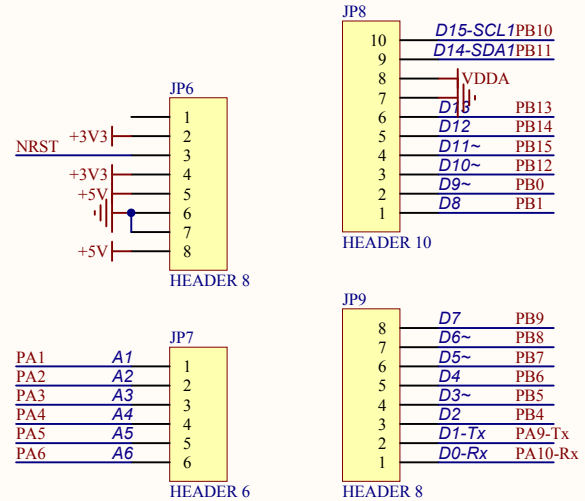
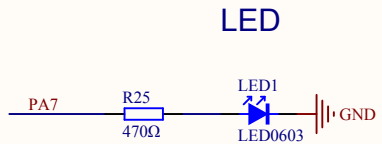
File Name: MCU

Revision: 1.0

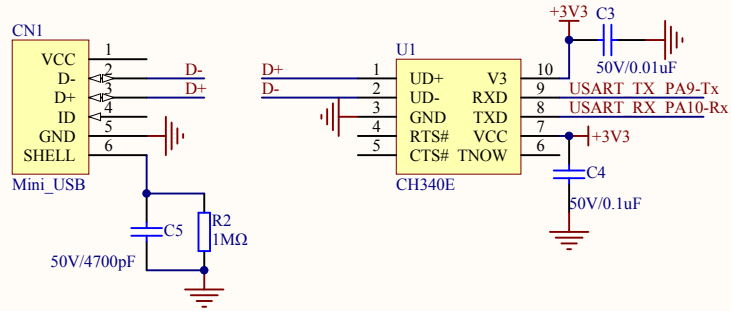
Data: 2019-5

Author: Xufei

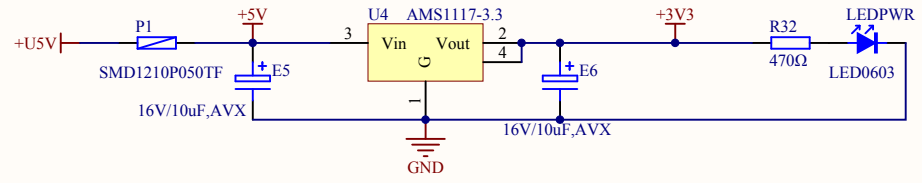
### Arduino



### USART To USB



<b>Company Name: GigaDevice</b>		
<b>File Name: Peripherals</b>		
Revision: 1.0	Data: 2019-5	Author: Xufei



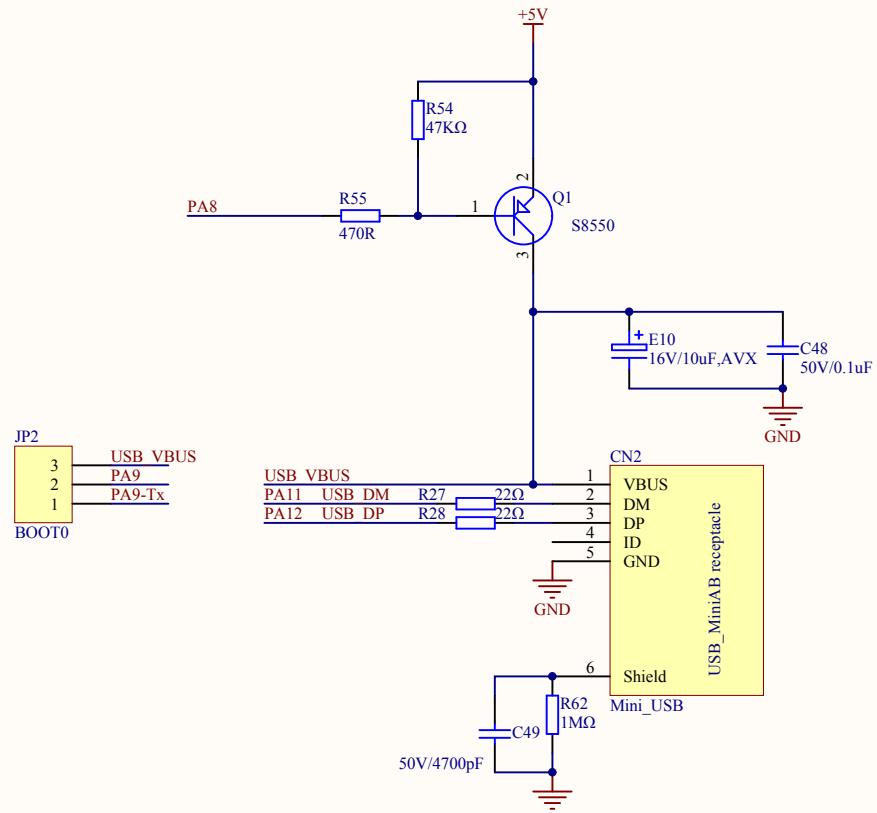
**Company Name: GigaDevice**

**File Name: Power**

Revision: 1.0

Data: 2019-5

Author: Xufei



<b>Company Name: GigaDevice</b>		
<b>File Name: USB</b>		
Revision: 1.0	Data: 2019-6	Author: Xufei

# GD32

GD32MCU.com  
GD32VF103C-START  
2019-6 V1.0

